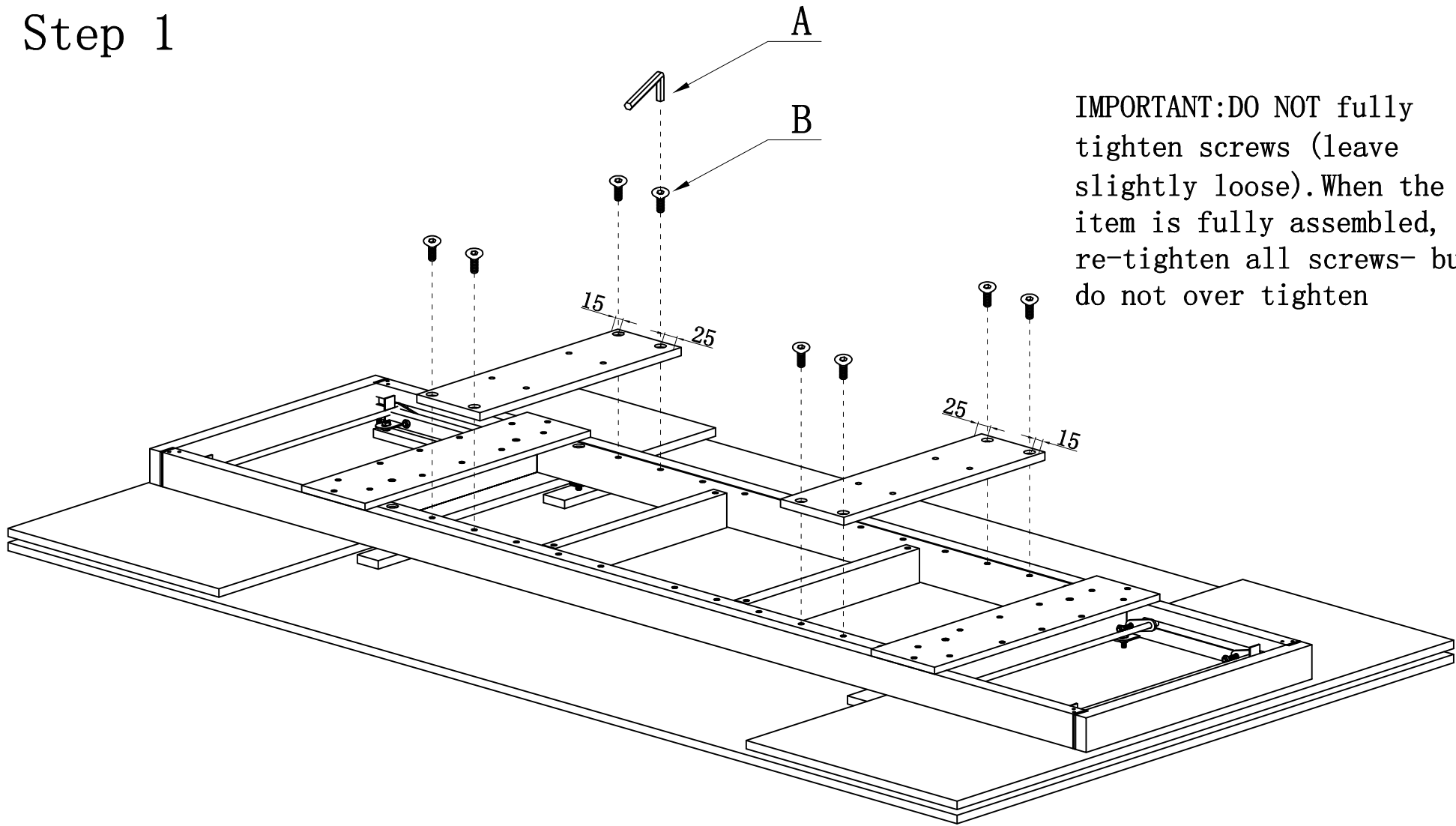

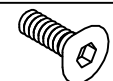
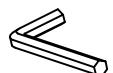
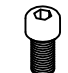

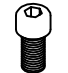

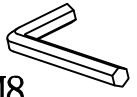


# Step 1

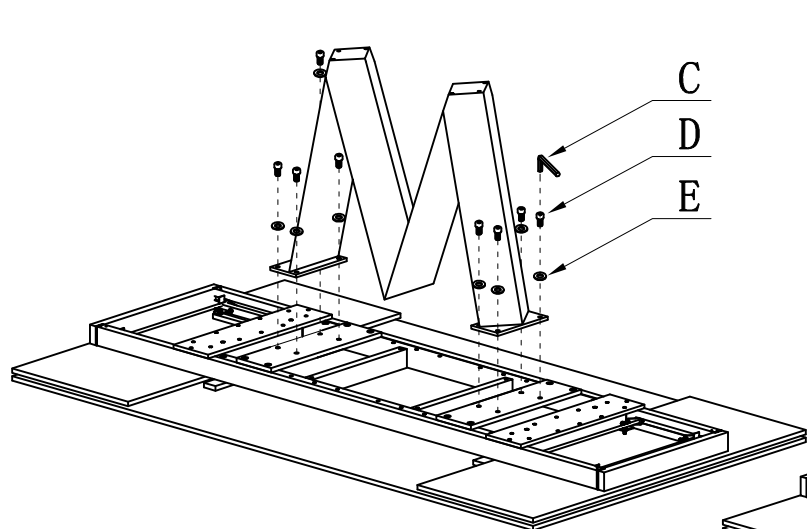


IMPORTANT: DO NOT fully tighten screws (leave slightly loose). When the item is fully assembled, re-tighten all screws- but do not over tighten

		NO.	A	B	C	D	E	F	G	H
VICKY	TYPE		 M5	 M8*15	 M6	 M8*20	 ø17	 M8*30	 ø22	 M8
	QTY		1PC	8PCS	1PC	8PCS	8PCS	6PCS	6PCS	1PC

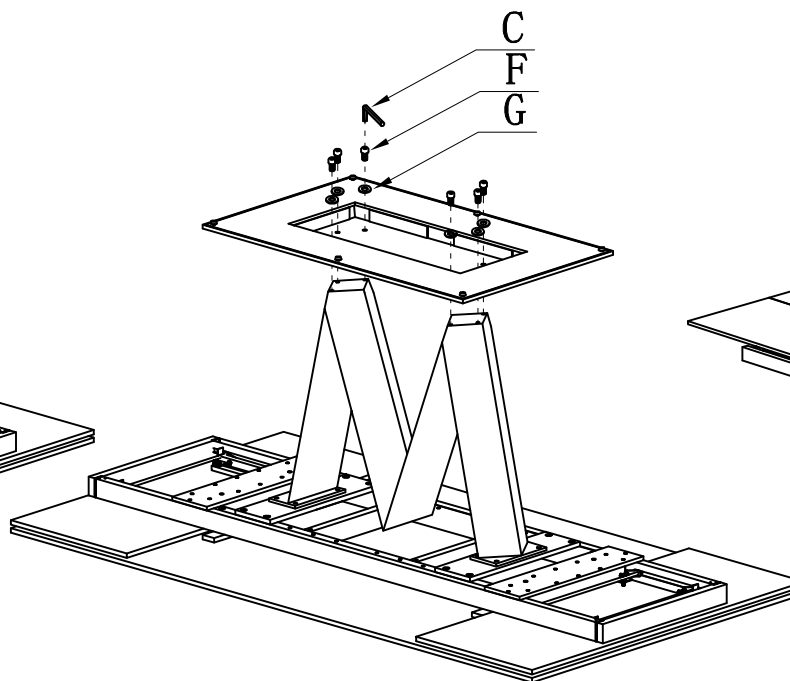
## Step 2

Put "vicky" leg matching the holes on top frame and align with screws "D", but please do not tighten the screws.



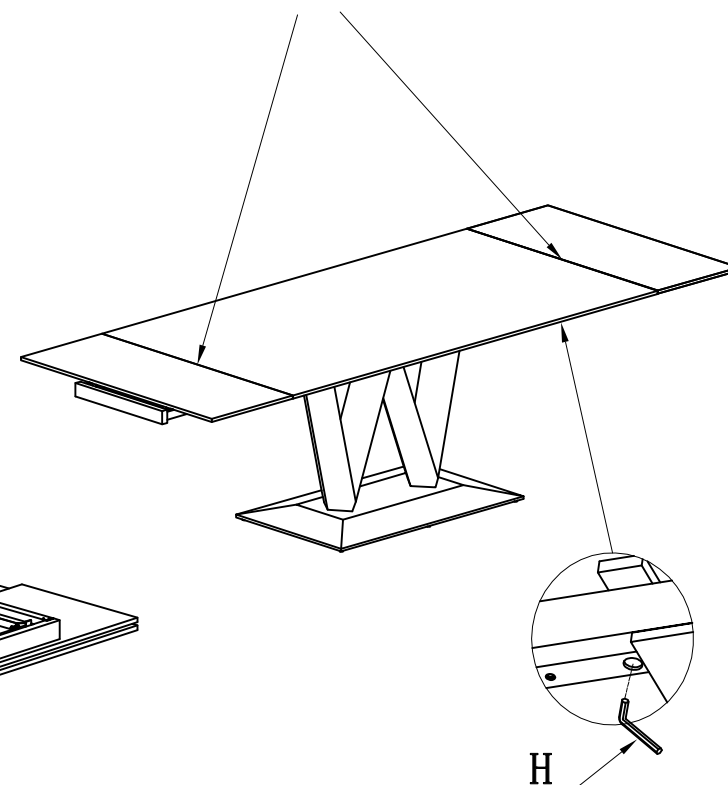
## Step 3

Put on the flat base matching the holes on the bottom of three legs and align with screws "F". when all the screws and holes are matched. fully tighten the screws one by one, and please make adjustment when necessary.


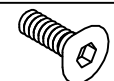
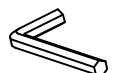
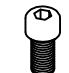

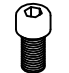

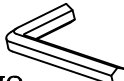


## Finish

Reminder: please use allen key "H" to adjust the extension glass levelness when it is uneven.



VICKY

NO.	A	B	C	D	E	F	G	H
TYPE	 M5	 M8*15	 M6	 M8*20	 ø17	 M8*30	 ø22	 M8
QTY	1PC	8PCS	1PC	8PCS	8PCS	6PCS	6PCS	1PC