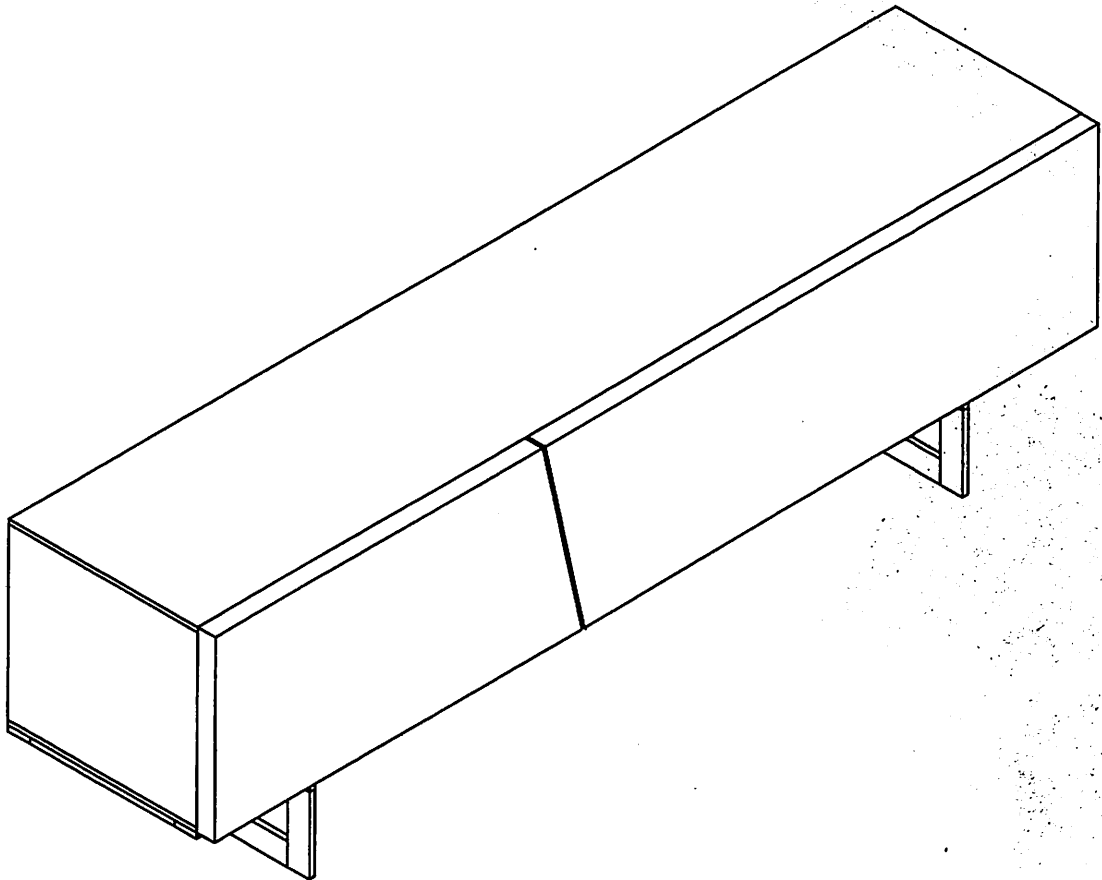
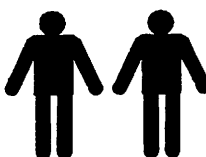
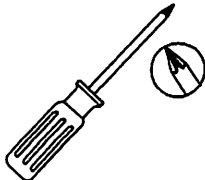

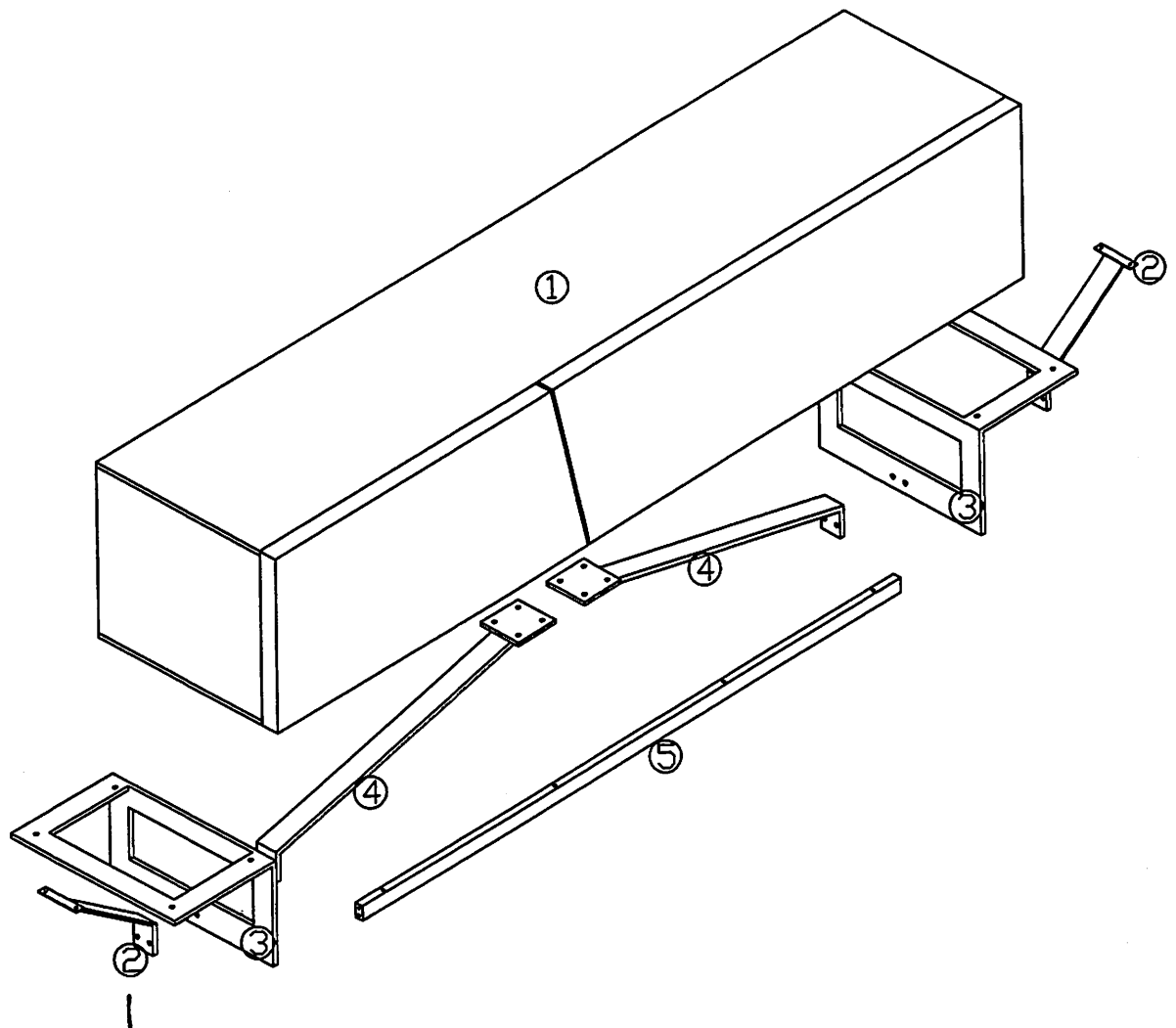









OIL218C



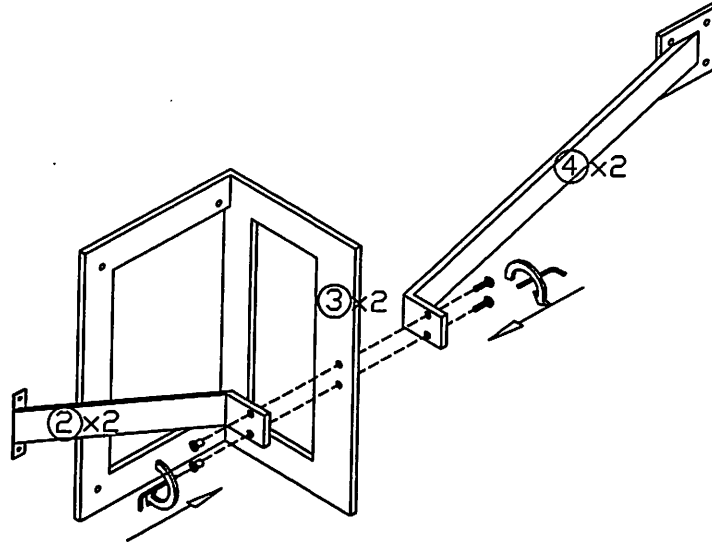
		 30 min
---	---	---



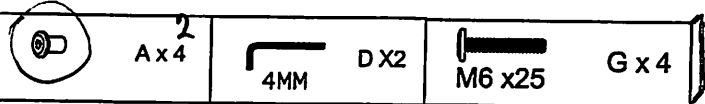
-  A x 4
-  M6 x 20 B x 8
-  M4 x 12 C x 4

-  4MM D x 2
-  M6 x 16 E x 8
-  M6 x 35 F x 5
-  M6 x 25 G x 6

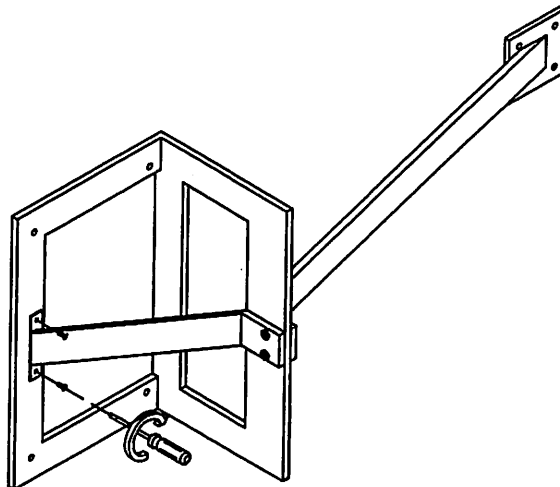
1



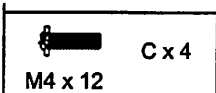
?



2

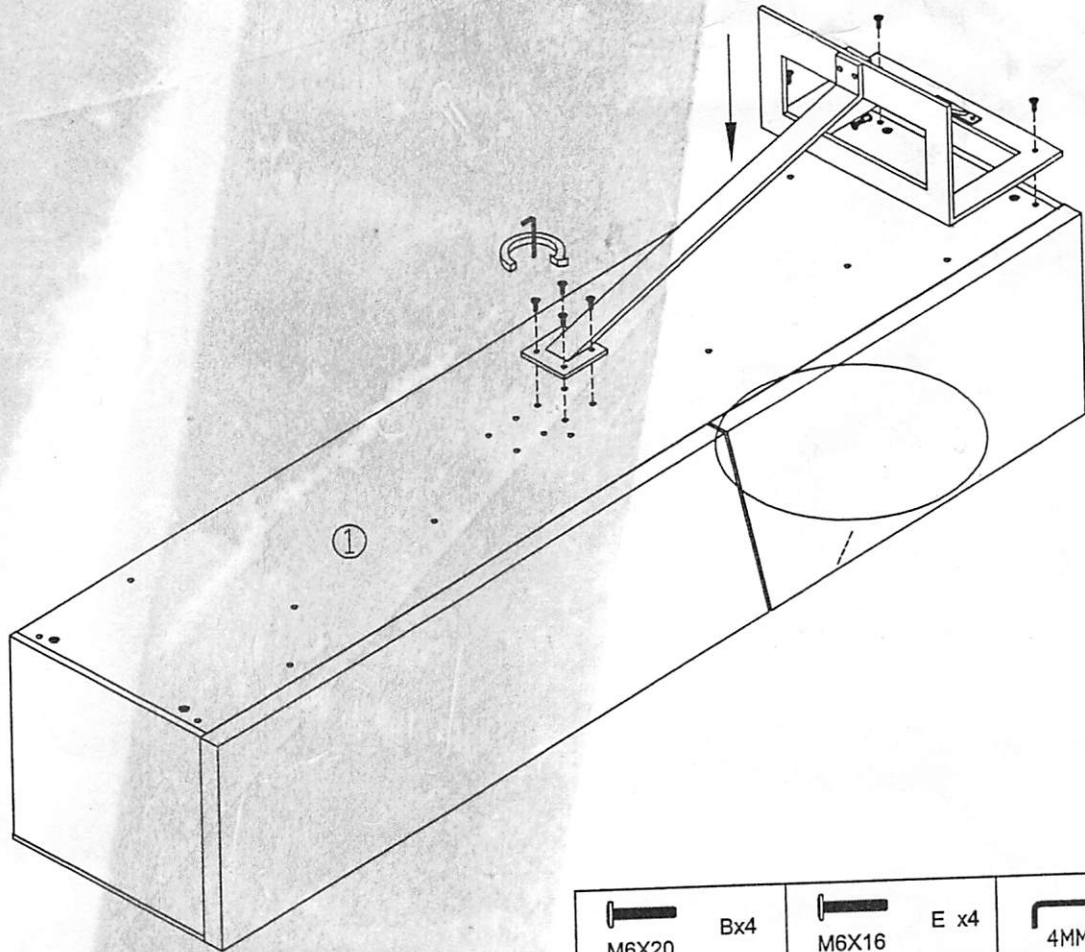


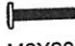
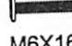

?



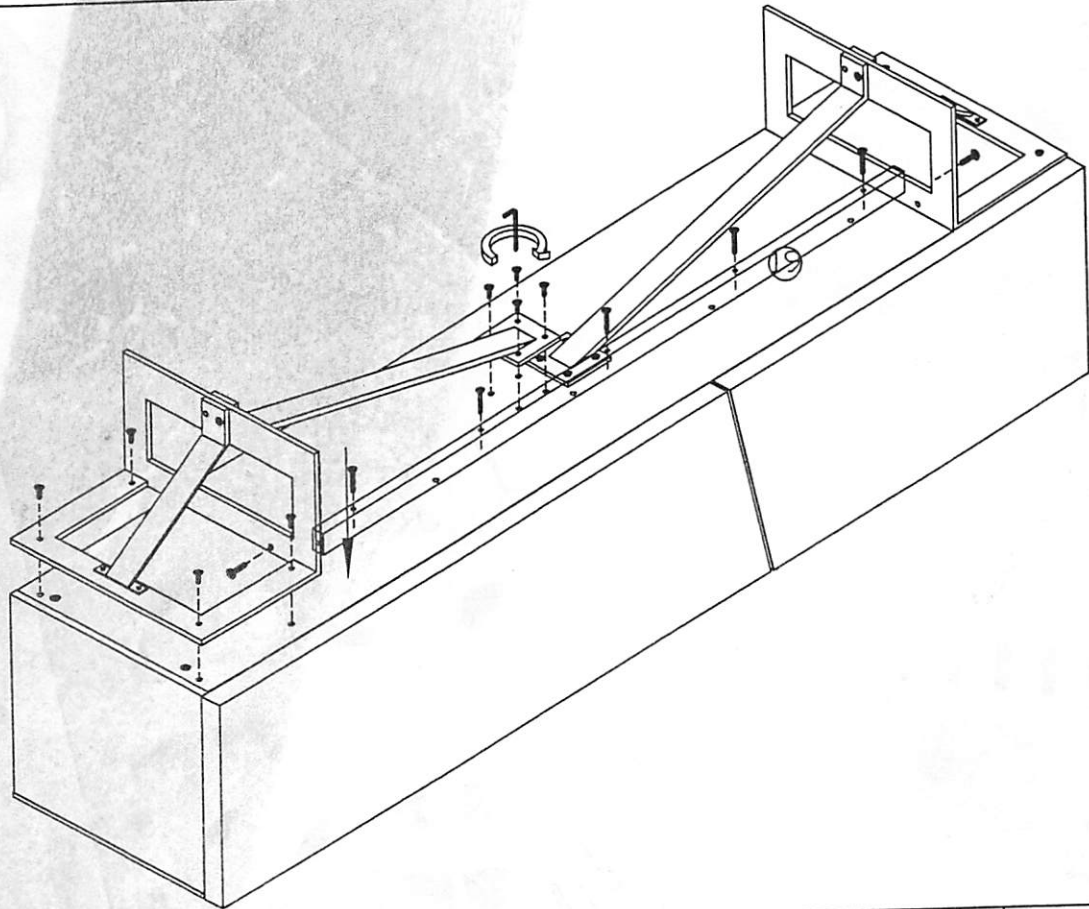
OIL218C


3



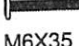
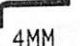


 M6X20	Bx4	 M6X16	E x4	 4MM	DX 1
---	-----	---	------	---	------

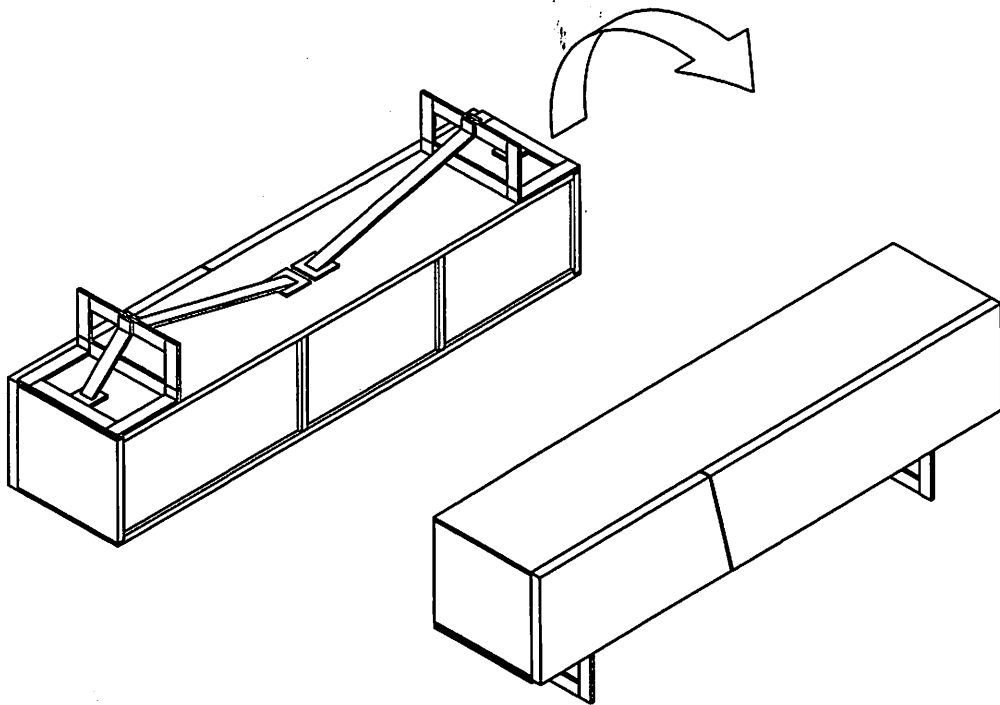
4



 M6 x25	G x2
--	------

 M6 x 20	Bx 4	 M6 x 16	Ex 4	 M6X35	Fx 5	 4MM	FX 1
---	------	---	------	---	------	---	------

5



6

