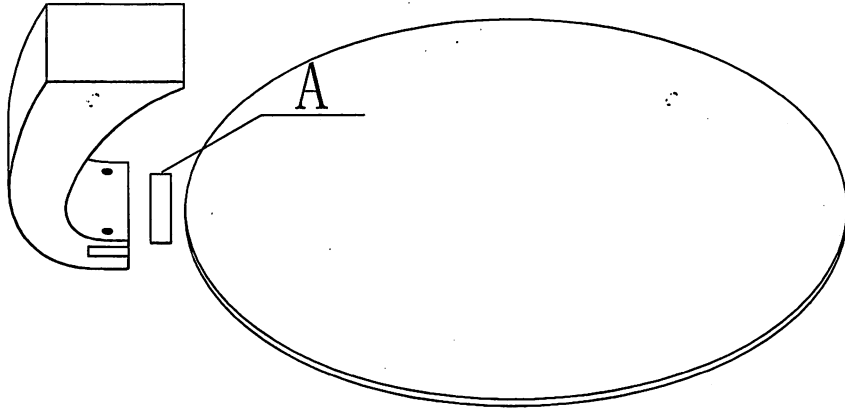
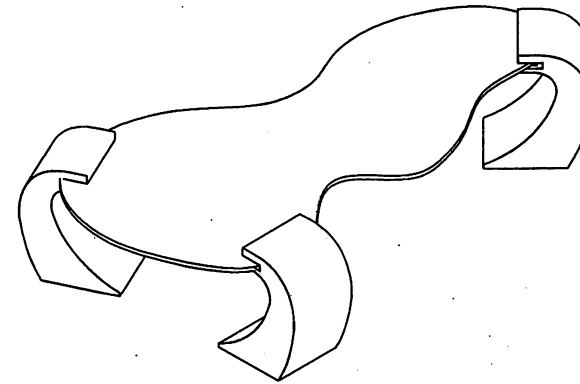
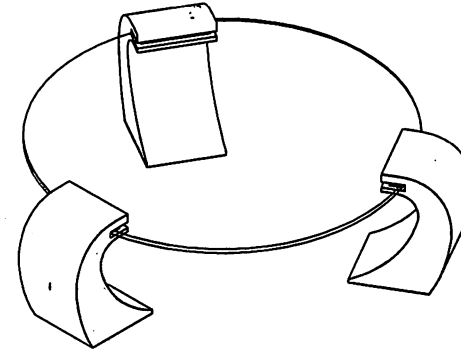
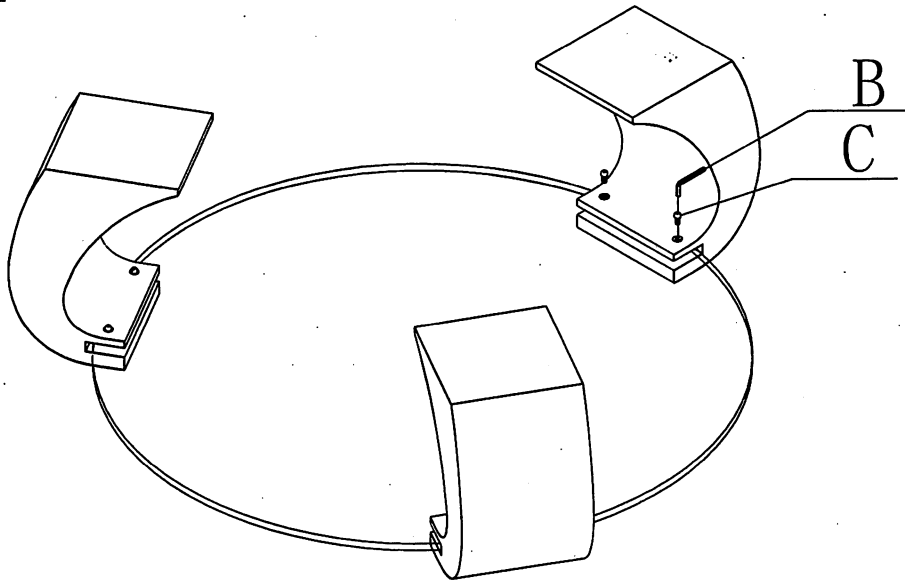





FINISHING

STEP 1



STEP 2



NO	DRAWING	DESCRIPTION	QTY
A		220*38	1PC
B		M6	1PC
C		M8*16	6PCS