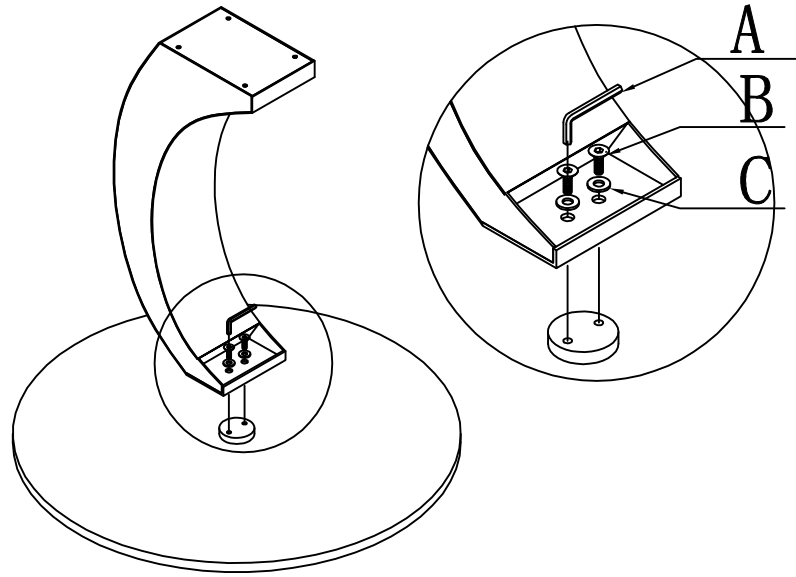
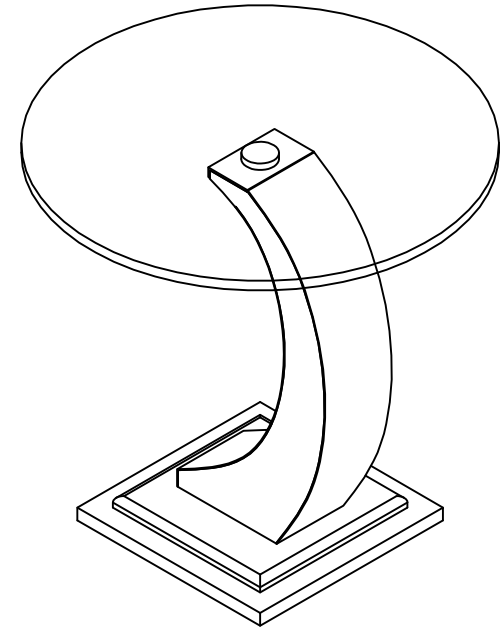


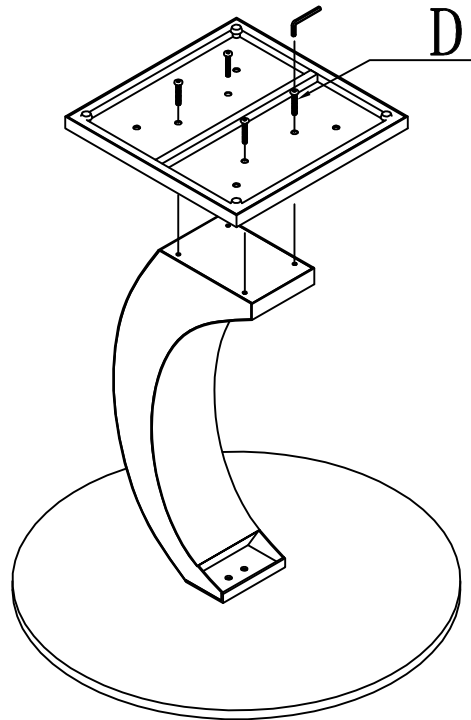
STEP 1







FINISHING



STEP 2



NO	DRAWING	DESCRIPTION	QTY
A		M4	1PCS
B		M6*10	2PCS
C		ø6	2PCS
D		M6*35	4PCS