

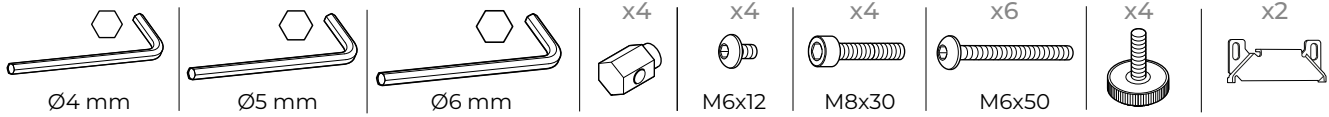


SIDEBOARD MIRA

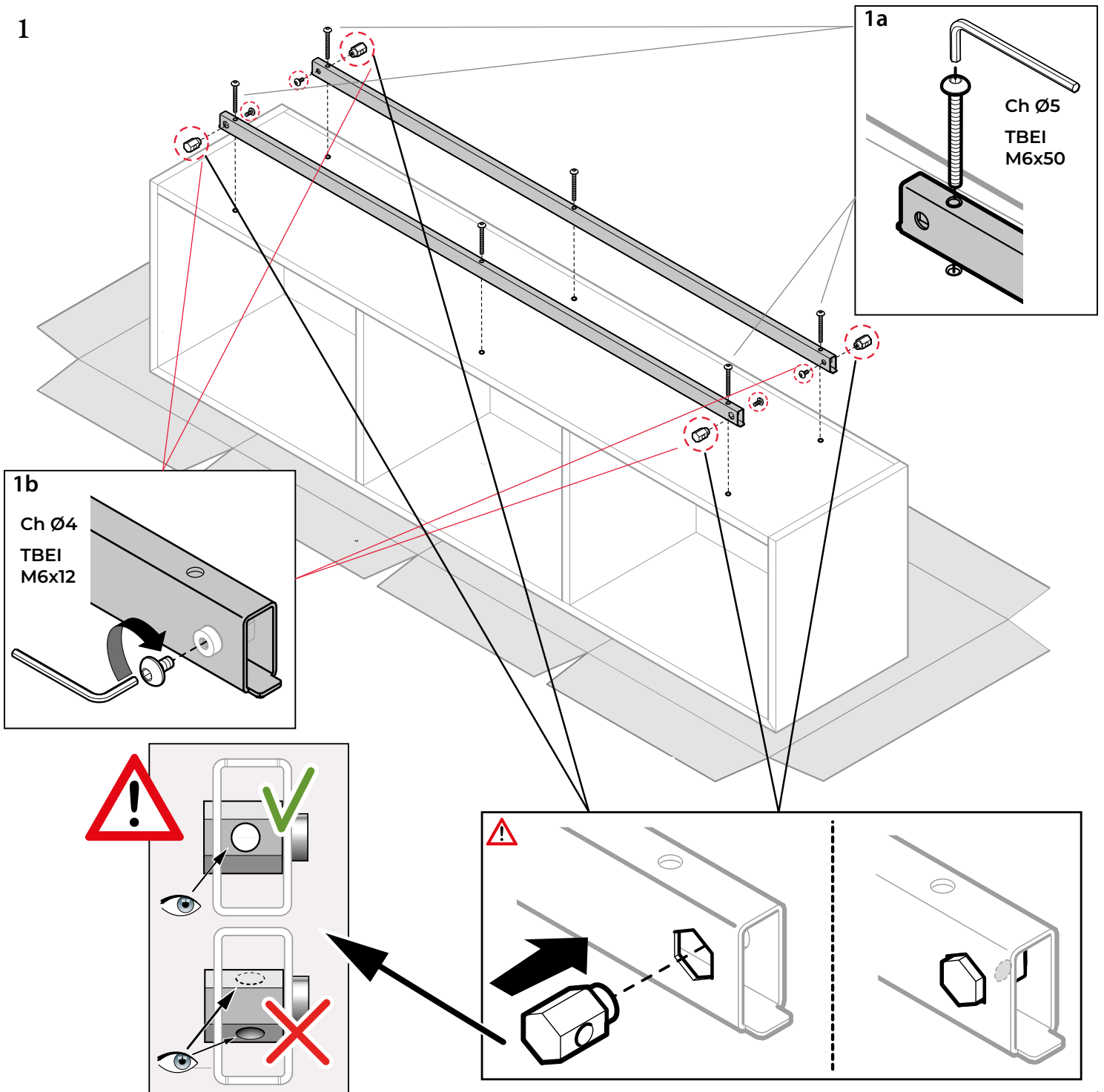
Bellini
ITALIAN HOME



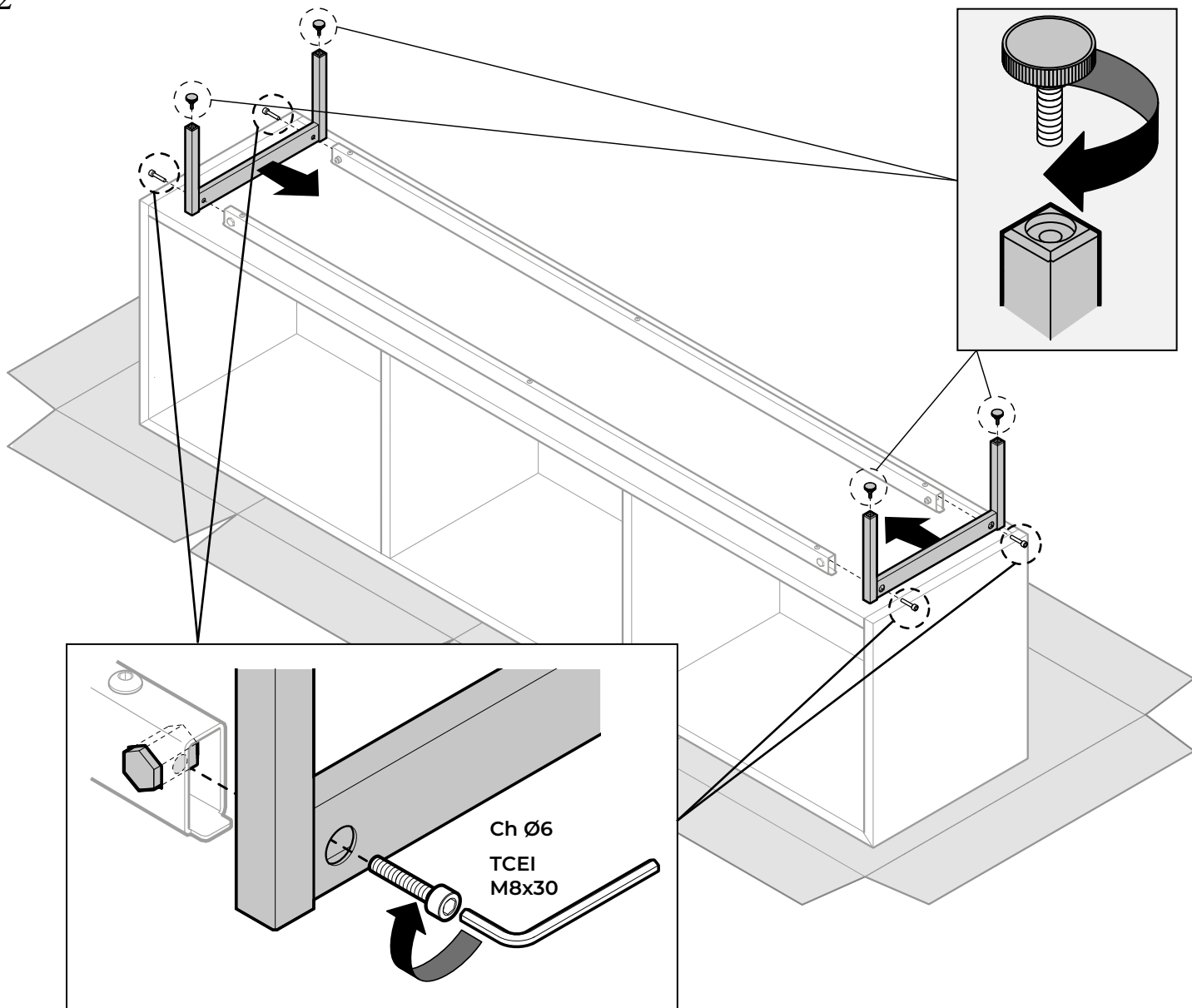
Fittings · Beschlag · Quincaillerie · Ferramenta:



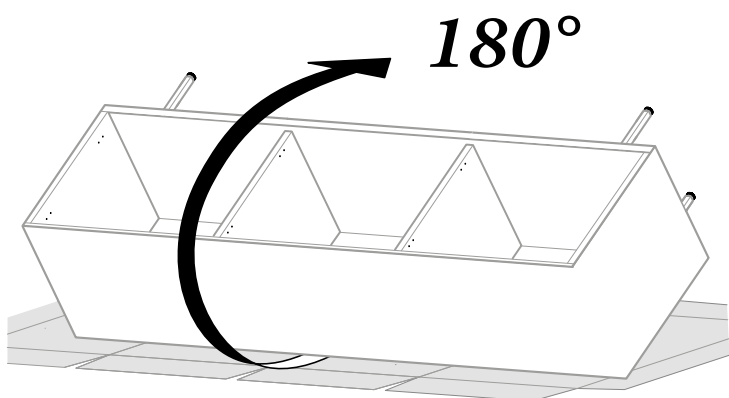
1



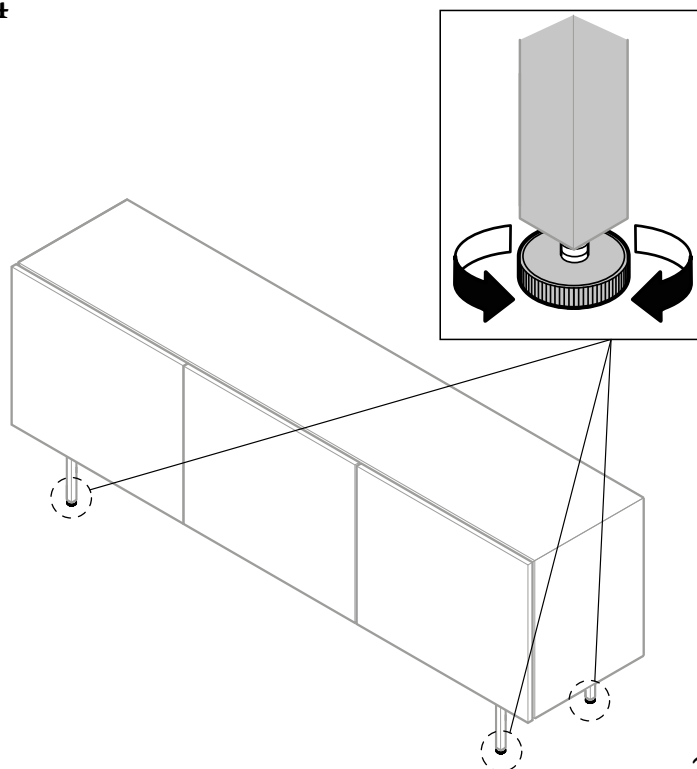
2



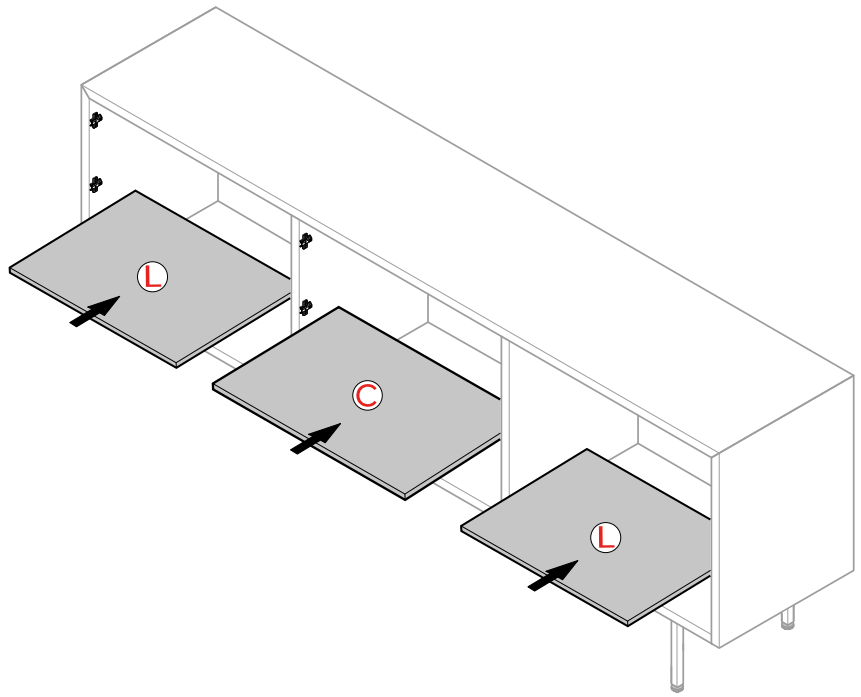
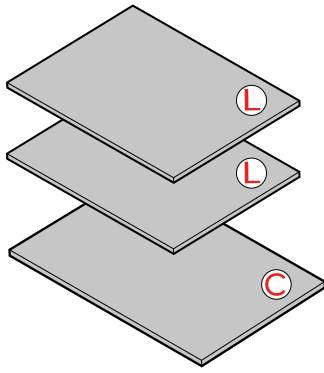
3



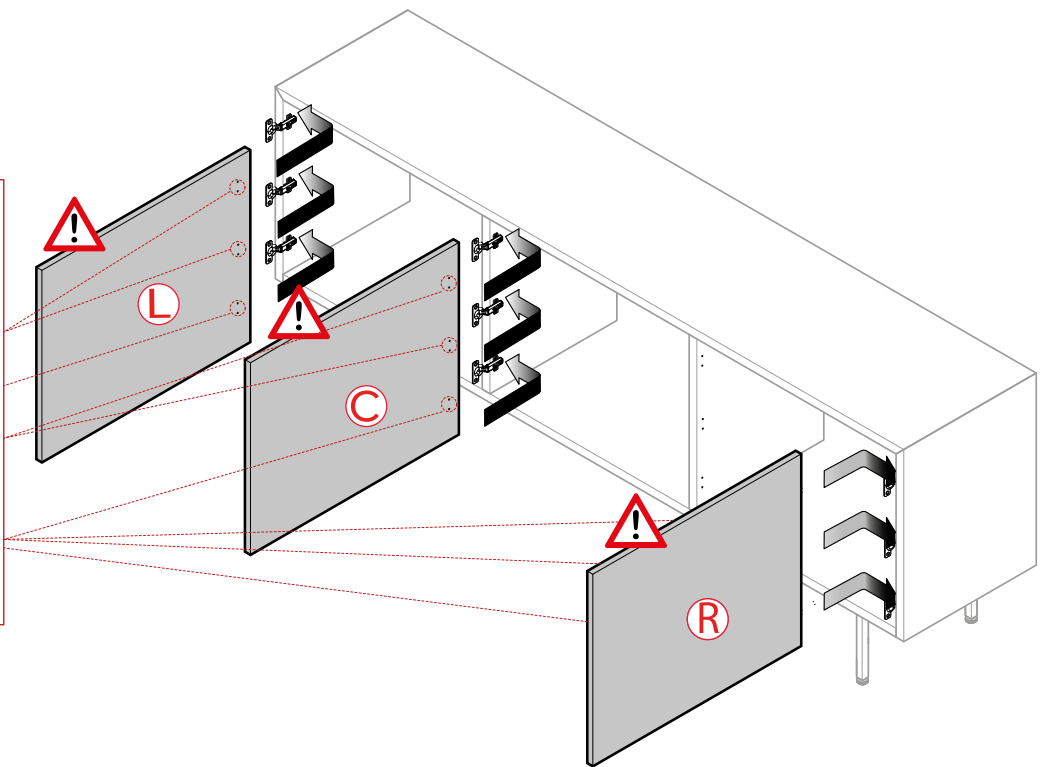
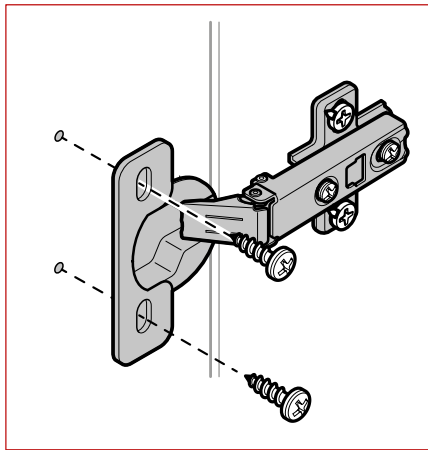
4



5

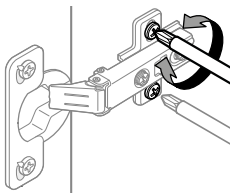
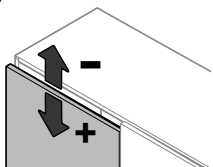


6

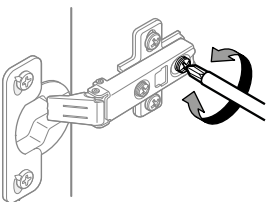
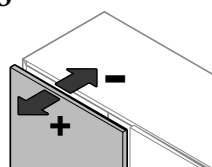


REGOLAZIONI - ADJUSTMENTS

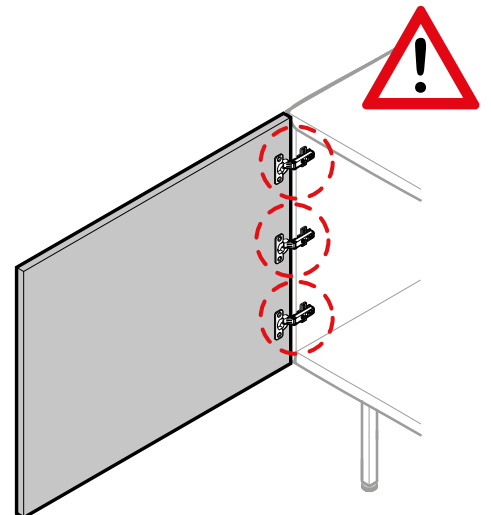
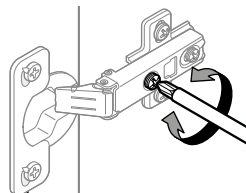
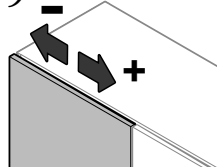
7




8

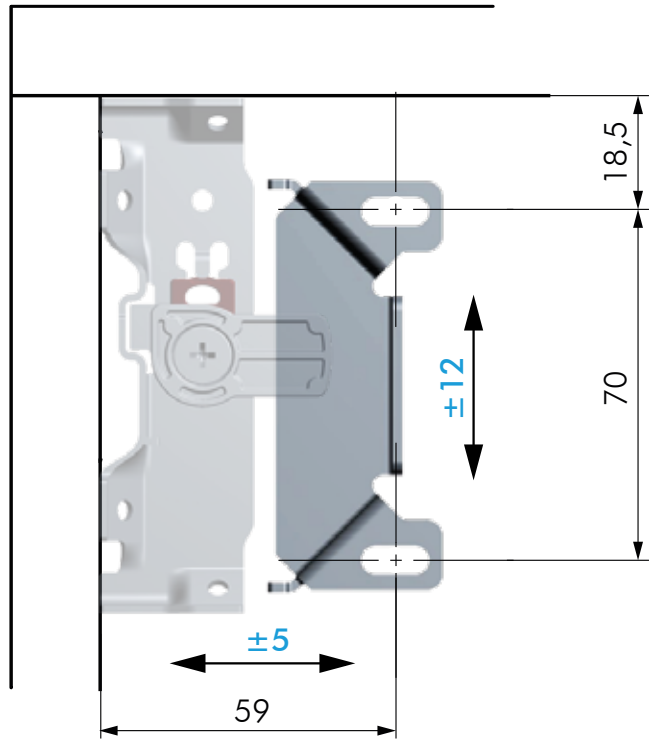
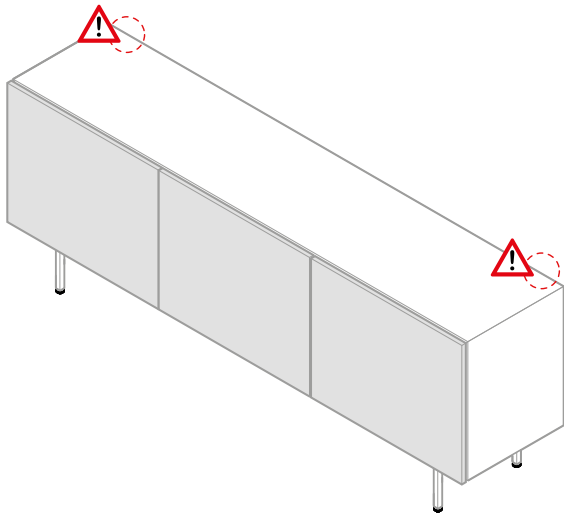


9

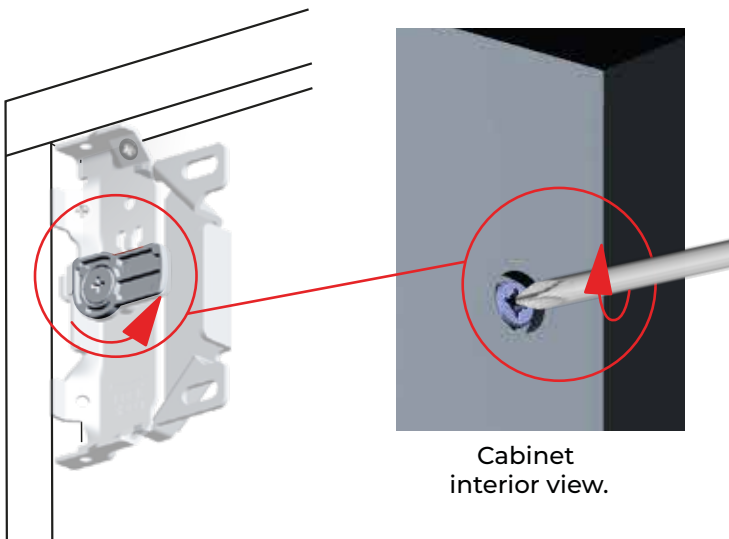


- 10  It is mandatory to install the anti-tip system for the proper and safe assembly of the furniture.

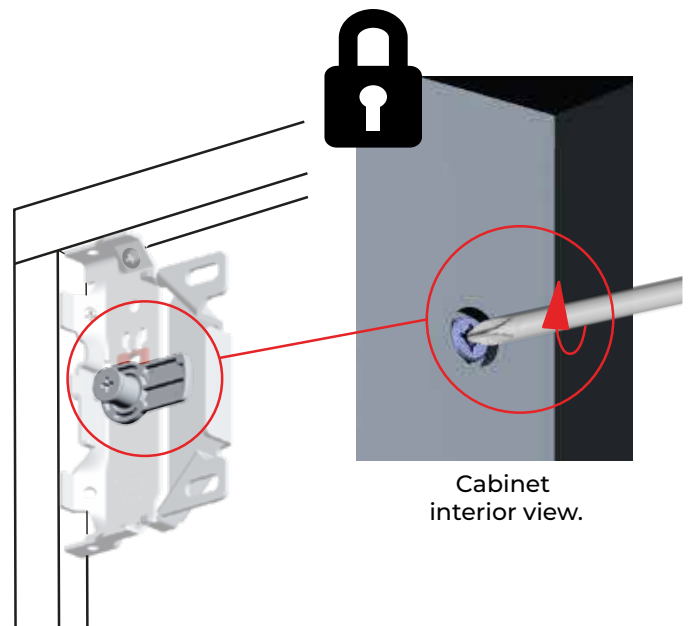
Mounting plate positioning.




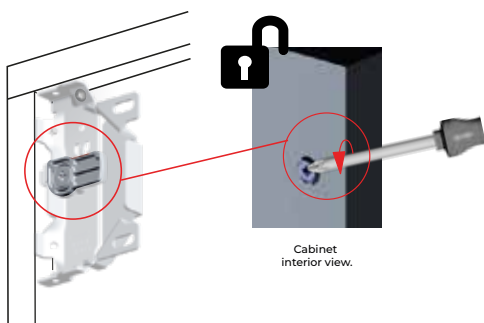
- 11 Perform the activation using a screwdriver.



- 12 Secure by screwing in completely. 



- 13 Unlock by unscrewing fully. 



- 14 Deactivating the tip-over restraint

