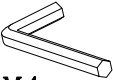


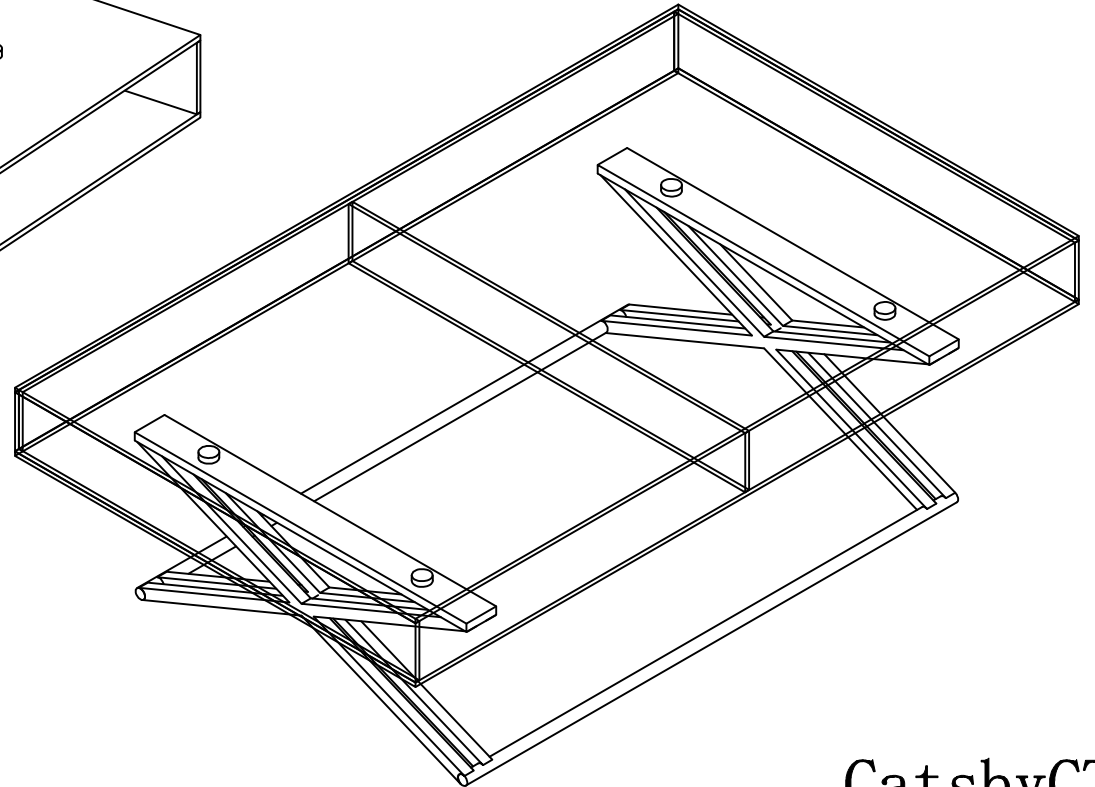
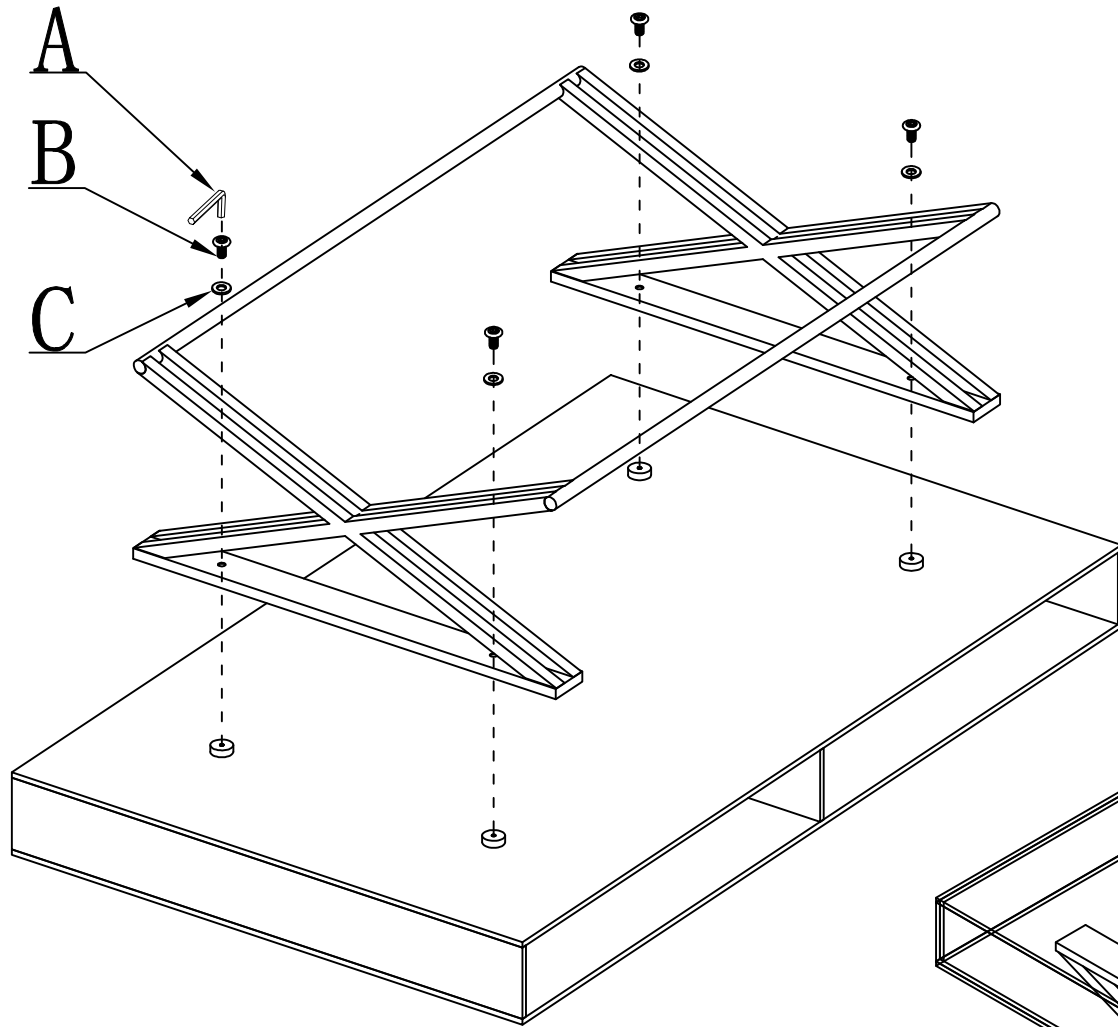


NO.	TYPE	QTY
A	 M4	1PC
B	 M6*20	4PCS
C	 φ16*φ7*2	4PCS



CatsbyCT