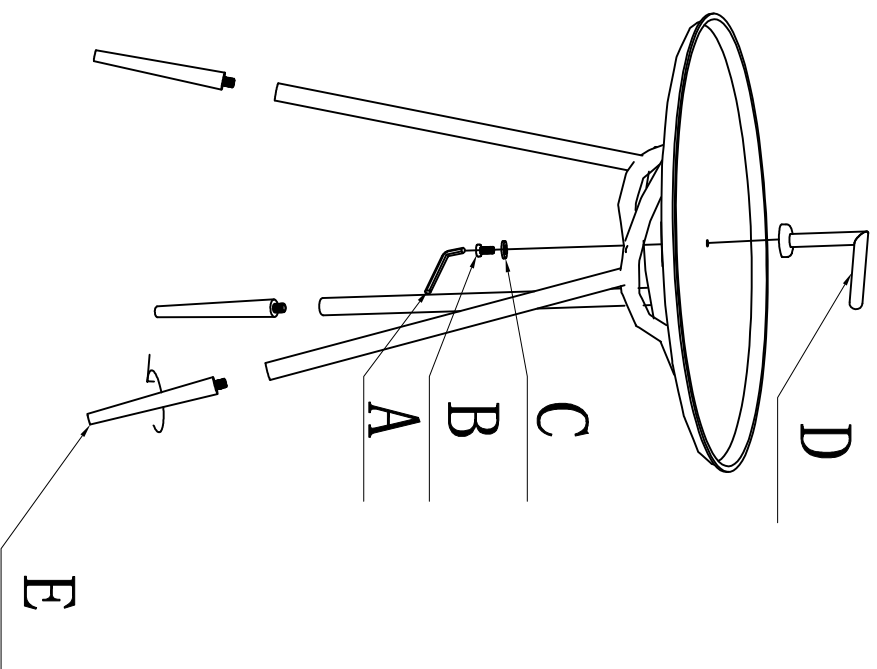
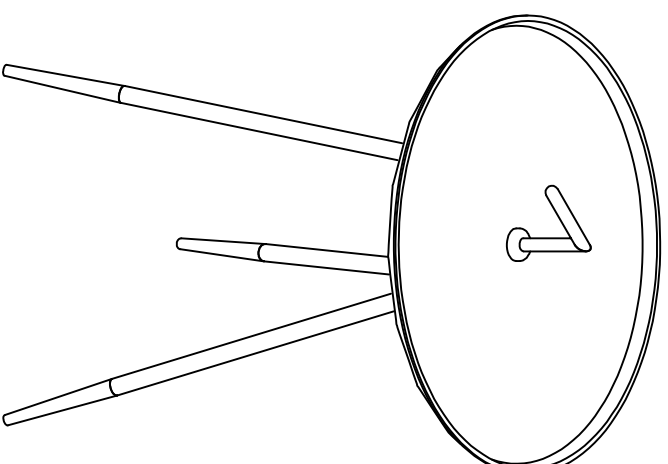


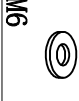
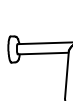



Step 1



Step 2



NO.	TYPE	QTY
A	 M4	1PC
B	 M6*10	1PCS
C	 M6	1PCS
D		1PCS
E		3PCS

INC63317