

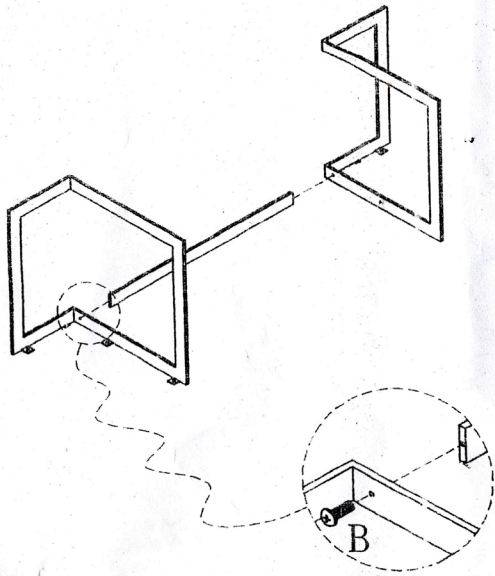
HS113/S113/S513 ASSEMBLY INSTRUCTION



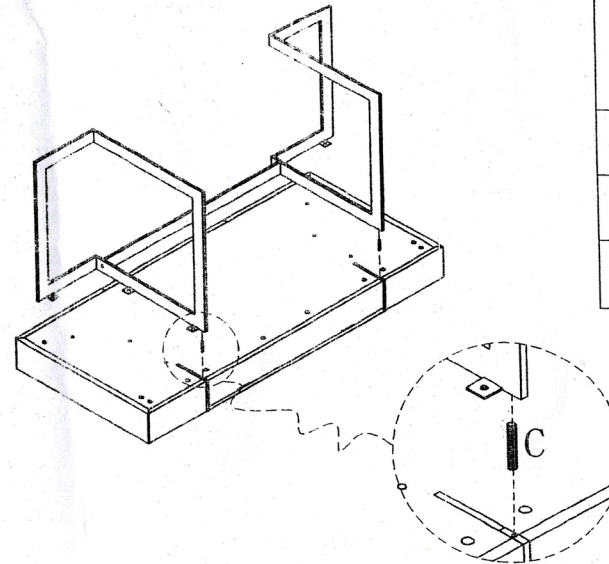
USING TOOLS

DESC	SPEC	QTY
A	M6*12	6
B	M6*20	2
C	M6*30	2

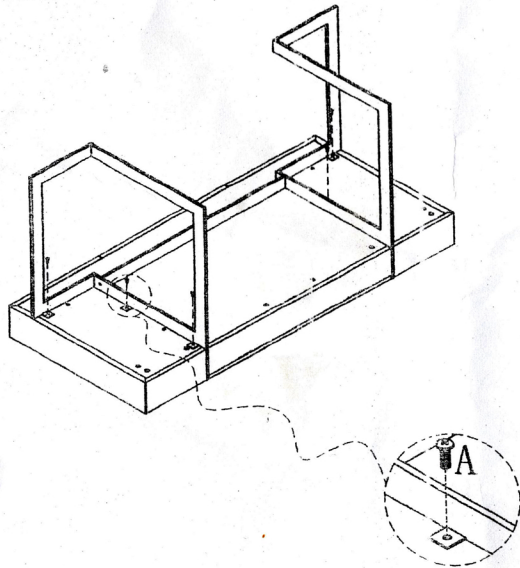
①



②



③



OK

