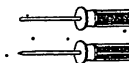


(S) NM001T/M50T/M001T ASSEMBLY INSTRUCTION



USING TOOLS

DESC

SPEC

QTY

A



M8*20

4

B



M8*30

4

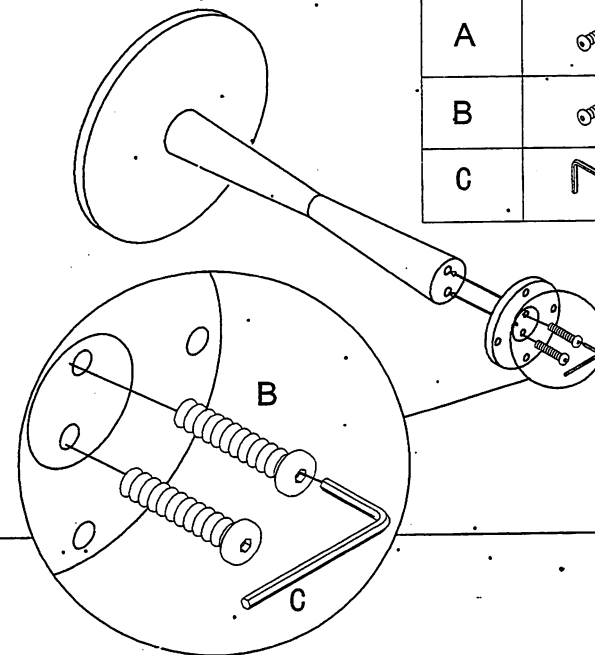
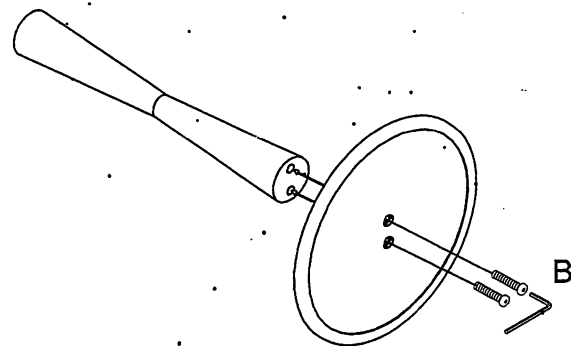
C



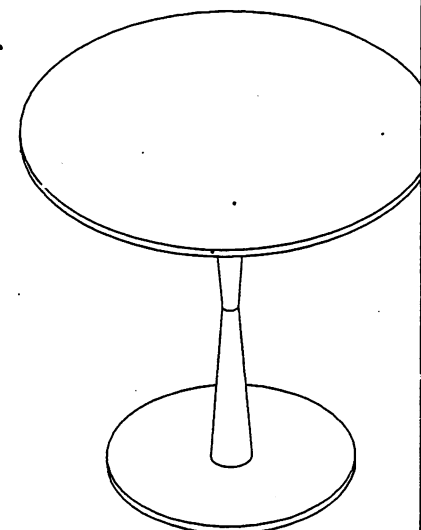
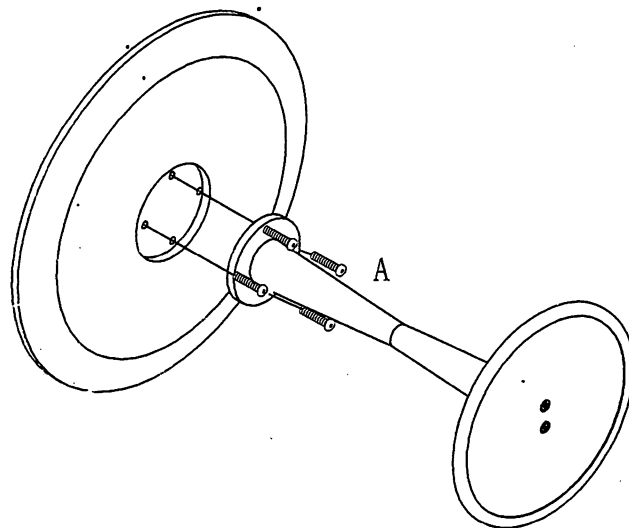
M6

1

①



②



OK